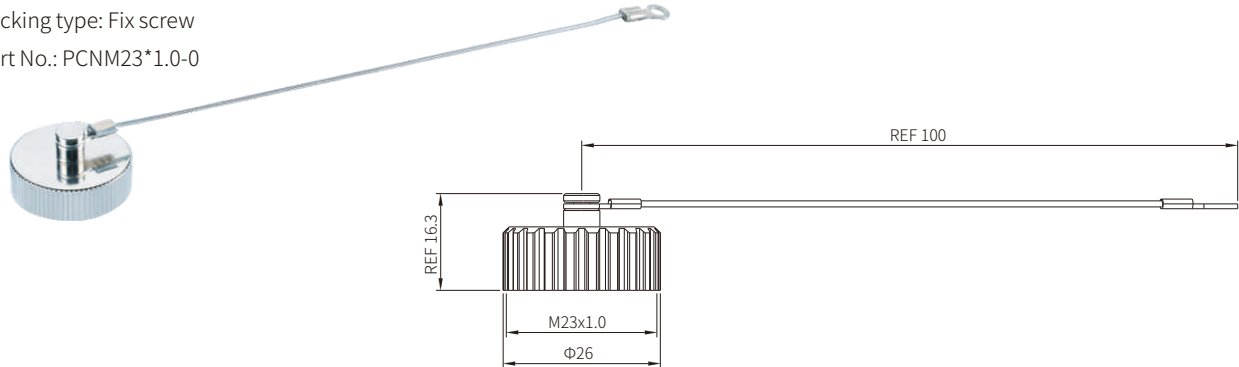


M23 Protection Cap

■ M23 Metal Protection Cap for male

- Connector series: M23
- Gender: Male
- Locking type: Fix screw
- Part No.: PCNM23*1.0-0



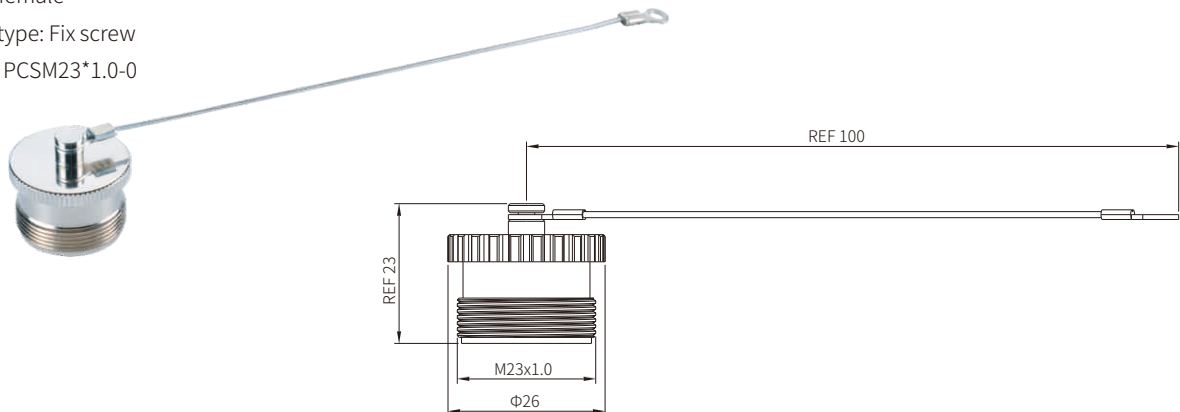
■ General information

Cap:	Aluminium alloy with nickel plated
Dowel:	Ferrum with nickel plated
Wire:	Stainless steel wire

Terminal :	M3 R type terminal (RNB1-3.2)
Gasket:	Black NBR
IP rating:	IP68 in locked condition

■ M23 Metal Protection Cap for female

- Connector series: M23
- Gender: female
- Locking type: Fix screw
- Part No.: PCSM23*1.0-0



■ General information

Cap:	Aluminium alloy with nickel plated
Dowel:	Ferrum with nickel plated
Wire:	Stainless steel wire

Terminal :	M3 R type terminal (RNB1-3.2)
O-Ring:	FKM
IP rating:	IP68 in locked condition