

Product data sheet

M12 Molded Cable



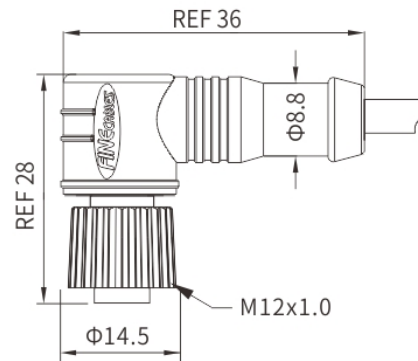
<https://finecables.com/m12-molded-cable-c-coded/1920/>

| | |
|---------------------|---|
| Product description | M12 C-coding Female Angled Connector, Molded Cable, Plastic, Unshielded, Contacts: 6, IP67/IP68 |
| Part no. | MA12FCP06RA |

Illustration



Scale drawing



You can find the assembly instructions on the next page.

General features

| | |
|---------------------|---------------------------------------|
| Part no. | MA12FCP06RA |
| Standard | IEC 61076-2-101 |
| Ambient temperature | -25°C ~ +85°C (flexible installation) |
| Ambient temperature | -40°C ~ +85°C (fixed installation) |
| IP rating | IP67, IP68 in locked condition |
| Mating endurance | >500 cycles |

Electrical parameters

| | |
|-----------------------|-----------------------------|
| Insulation resistance | ≥100MΩ |
| Contact resistance | ≤5mΩ |
| Shielding | Unavailable |
| Rated current | 2A |
| Rated voltage | 30V AC/DC |
| Wire gauge | 0.25mm ² (AWG24) |

Material

| | |
|--------------------|------------------------|
| Connector insert | TPU |
| Connector contacts | Brass with gold plated |
| Connector overmold | TPU |
| Coupling nut/screw | PA+GF |

Product data sheet
M12 Molded Cable



<https://finecables.com/m12-molded-cable-c-coded/1920/>

| | |
|---------------------|---|
| Product description | M12 C-coding Female Angled Connector, Molded Cable, Plastic, Unshielded, Contacts: 6, IP67/IP68 |
| Part no. | MA12FCP06RA |

Seal/O-ring FKM

Security Notices

The connector must not be plugged or unplugged under load. Non-observance and improper use can result in personal injury.

The connectors have been developed for applications in plant engineering, control and electrical equipment construction. The user is responsible for checking whether the connectors can also be used in other areas of application.

Connectors which are used in circuits with voltages dangerous to the touch may only be installed and used by, or under the supervision of, persons with electrical engineering training, taking into account the applicable regulations and standards.

The user must take suitable safety precautions to ensure that the connector cannot be accidentally disconnected.

Please observe the pollution degree and the overvoltage category. For further information, please refer to the download center "Technical Information".

Finecables Enterprise Co., Ltd

Email: info@finecables.com

Web: www.finecables.com

Tel: +86 0769-81517898

Address: No.54 Changdi Road, Nanmian Community Humen Town Dongguan City, Guangdong Province, China.