

Product data sheet

M12 Molded Cable



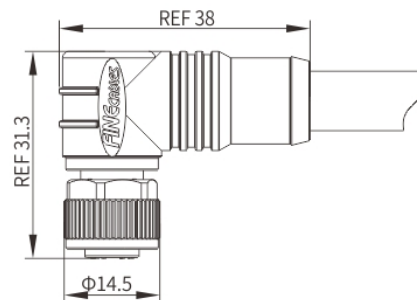
<https://finecables.com/m12-molded-cable-s-coded/1864/>

| | |
|---------------------|--|
| Product description | M12 S-coding Female Angled Connector, Molded Cable, Unshielded, Contacts: 4, IP67/IP68 |
| Part no. | MA12FSHD04RA |

Illustration



Scale drawing



You can find the assembly instructions on the next page.

General features

| | |
|---------------------|---------------------------------------|
| Part no. | MA12FSHD04RA |
| Standard | IEC 61076-2-111 |
| Ambient temperature | -25°C ~ +85°C (flexible installation) |
| Ambient temperature | -40°C ~ +85°C (fixed installation) |
| IP rating | IP67, IP68 in locked condition |
| Mating endurance | >500 cycles |

Electrical parameters

| | |
|-----------------------|-----------------------------|
| Insulation resistance | ≥100MΩ |
| Contact resistance | ≤5mΩ |
| Shielding | Unavailable |
| Rated current | 12A |
| Rated voltage | 630V |
| Wire gauge | 1.25mm ² (AWG16) |

Material

| | |
|--------------------|--------------------------|
| Connector insert | TPU; PA |
| Connector contacts | Brass with gold plated |
| Connector overmold | TPU |
| Coupling nut/screw | Brass with nickel plated |

Product data sheet
M12 Molded Cable



<https://finecables.com/m12-molded-cable-s-coded/1864/>

| | |
|---------------------|--|
| Product description | M12 S-coding Female Angled Connector, Molded Cable, Unshielded, Contacts: 4, IP67/IP68 |
| Part no. | MA12FSHD04RA |

Seal/O-ring FKM

Security Notices

1. Do not plug or unplug the connector while it is under load. Failure to follow this warning or improper use may result in personal injury.
2. These connectors are designed for use in plant engineering, control systems, and electrical equipment construction. Users are responsible for verifying suitability if using them in other applications.
3. Connectors used in circuits with hazardous touch voltages must only be installed and operated by qualified personnel with electrical engineering training, or under their supervision, in accordance with applicable regulations and standards.
4. Users must take appropriate safety precautions to prevent accidental disconnection of the connector.
5. Please observe the specified pollution degree and overvoltage category. For more details, refer to the "Technical Information" section in our Download Center.

Finecables Enterprise Co., Ltd

Email: info@finecables.com

Web: www.finecables.com

Tel: +86 0769-81517898

Address: No.54 Changdi Road, Nanmian Community Humen Town Dongguan City, Guangdong Province, China.