

Product data sheet

M12 Molded Cable



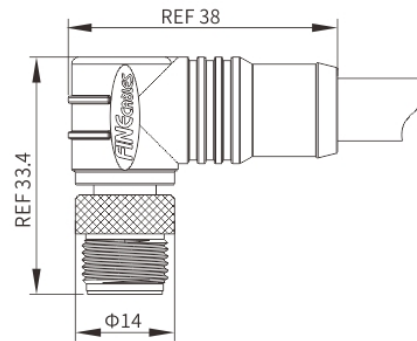
<https://finecables.com/m12-molded-cable-s-coded/1863/>

Product description	M12 S-coding Male Angled Connector, Molded Cable, Shielded, Contacts: 4, IP67/IP68
Part no.	MA12MSSF04RA

Illustration



Scale drawing



You can find the assembly instructions on the next page.

General features

Part no.	MA12MSSF04RA
Standard	IEC 61076-2-111
Ambient temperature	-25°C ~ +85°C (flexible installation)
Ambient temperature	-40°C ~ +85°C (fixed installation)
IP rating	IP67, IP68 in locked condition
Mating endurance	>500 cycles

Electrical parameters

Insulation resistance	$\geq 100\text{M}\Omega$
Contact resistance	$\leq 5\text{m}\Omega$
Shielding	Available
Rated current	12A
Rated voltage	630V
Wire gauge	1.25mm ² (AWG16)

Material

Connector insert	TPU; PA
Connector contacts	Brass with gold plated
Connector overmold	TPU
Coupling nut/screw	Brass with nickel plated

Product data sheet
M12 Molded Cable



<https://finecables.com/m12-molded-cable-s-coded/1863/>

Product description	M12 S-coding Male Angled Connector, Molded Cable, Shielded, Contacts: 4, IP67/IP68
Part no.	MA12MSSF04RA

Seal/O-ring FKM

Security Notices

1. Do not plug or unplug the connector while it is under load. Failure to follow this warning or improper use may result in personal injury.
2. These connectors are designed for use in plant engineering, control systems, and electrical equipment construction. Users are responsible for verifying suitability if using them in other applications.
3. Connectors used in circuits with hazardous touch voltages must only be installed and operated by qualified personnel with electrical engineering training, or under their supervision, in accordance with applicable regulations and standards.
4. Users must take appropriate safety precautions to prevent accidental disconnection of the connector.
5. Please observe the specified pollution degree and overvoltage category. For more details, refer to the "Technical Information" section in our Download Center.

Finecables Enterprise Co., Ltd

Email: info@finecables.com

Web: www.finecables.com

Tel: +86 0769-81517898

Address: No.54 Changdi Road, Nanmian Community Humen Town Dongguan City, Guangdong Province, China.