

## Product data sheet

# M16 Cables & Connectors

<https://finecables.com/m16-molded-cable/2319/>



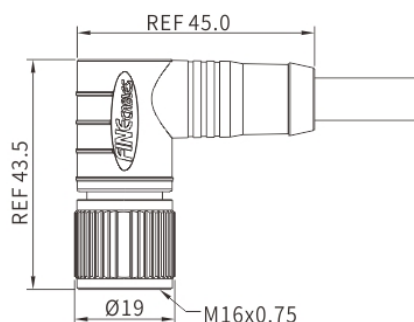
Product description  
Part no.

M16 Female Angled Connector, Molded Cable, Contacts: 6, Shielded, IP65/IP67  
MA16FSAF06RA

### Illustration



### Scale drawing



You can find the assembly instructions on the next page.

## General features

|                     |                                       |
|---------------------|---------------------------------------|
| Part no.            | <b>MA16FSAF06RA</b>                   |
| Standard            | IEC 61076-2-106                       |
| Ambient temperature | -25°C ~ +85°C (flexible installation) |
| Ambient temperature | -40°C ~ +85°C (fixed installation)    |
| IP rating           | IP65, IP67 in locked condition        |
| Mating endurance    | >100 cycles                           |

## Electrical parameters

|                       |                                     |
|-----------------------|-------------------------------------|
| Insulation resistance | ≥100MΩ                              |
| Contact resistance    | ≤5mΩ                                |
| Shielding             | Available                           |
| Rated current         | 5A(40°C)                            |
| Rated voltage         | 63V AC/DC                           |
| Wire gauge            | 0.75~0.25mm <sup>2</sup> (AWG18~20) |

## Material

## Product data sheet

# M16 Cables & Connectors

<https://finecables.com/m16-molded-cable/2319/>



|                     |   |
|---------------------|---|
| Product description | M16 Female Angled Connector, Molded Cable, Contacts: 6, Shielded, IP65/IP67 |
| Part no.            | MA16FSAF06RA  |

|                    |                               |
|--------------------|-------------------------------|
| Connector insert   | PBT                           |
| Connector contacts | Brass with gold plated        |
| Connector overmold | TPU                           |
| Coupling nut/screw | Zinc alloy with nickel plated |
| Seal/O-ring        | NBR/FKM                       |

## Security Notices

The connector must not be plugged or unplugged under load. Non-observance and improper use can result in personal injury.

The connectors have been developed for applications in plant engineering, control and electrical equipment construction. The user is responsible for checking whether the connectors can also be used in other areas of application.

Connectors which are used in circuits with voltages dangerous to the touch may only be installed and used by, or under the supervision of, persons with electrical engineering training, taking into account the applicable regulations and standards.

The user must take suitable safety precautions to ensure that the connector cannot be accidentally disconnected.

Please observe the pollution degree and the overvoltage category. For further information, please refer to the download center "Technical Information".

Finecables Enterprise Co., Ltd

Email: [info@finecables.com](mailto:info@finecables.com)

Web: [www.finecables.com](http://www.finecables.com)

Tel: +86 0769-81517898

Address: No.54 Changdi Road, Nanmian Community Humen Town Dongguan City, Guangdong Province, China.