

Product description

M12 Quick-lock Female Straight Connector, Field Wirable Assembly, Reversed Polarity, With Fix-cap, Unshielded, Front fastened, Contacts: 4, IP65/IP67/IP68

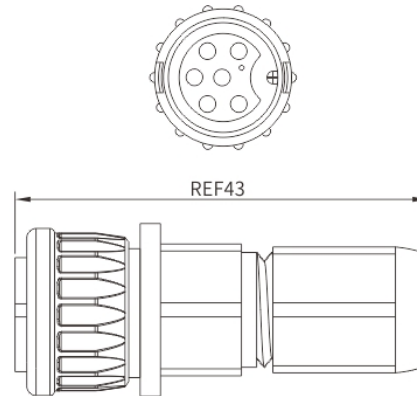
Part no.

MB12FARAFQ04ST

Illustration



Scale drawing



You can find the assembly instructions on the next page.

General features

Part no.	MB12FARAFQ04ST
Ambient temperature	-25°C ~ +90°C
Suitable Cable Dia	3.0~6.0mm
IP rating	IP65, IP67, IP68 in locked condition
Mating endurance	>500 cycles

Electrical parameters

Insulation resistance	≥100MΩ
Contact resistance	≤5mΩ
Shielding	Unavailable
Rated current	4A
Rated voltage	250V AC / DC
Wire gauge	0.34mm ² (AWG22)

Material

Connector insert	PA+GF
Connector body	PA+GF
Connector contacts	Brass with gold plated
Quick-lock Fix-cap	PA+GF
Seal/O-ring	FKM

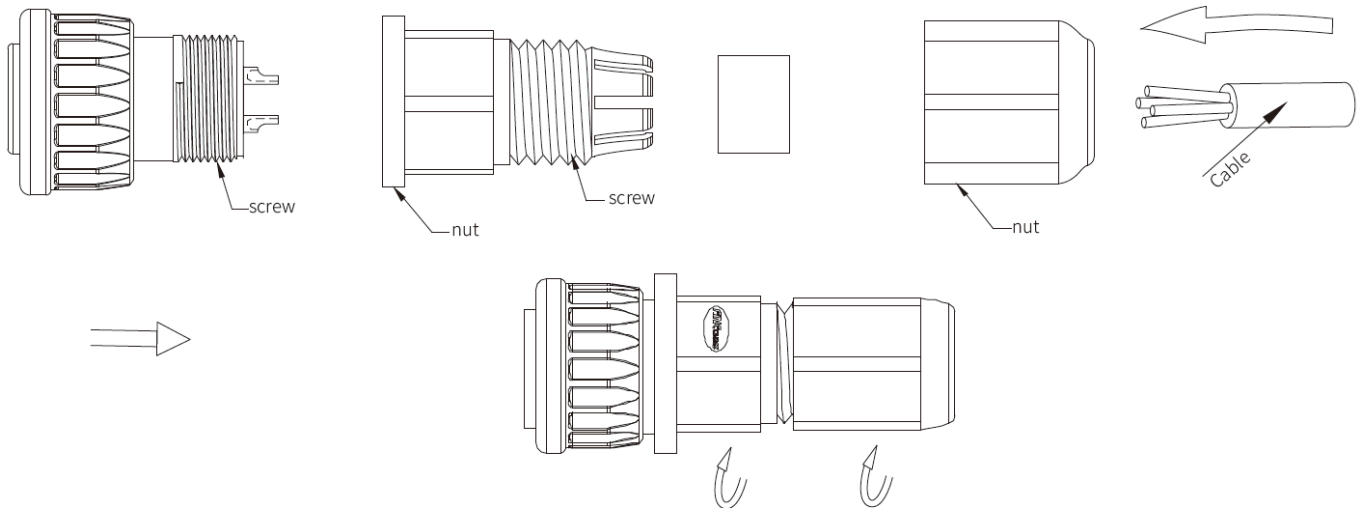
Product description

M12 Quick-lock Female Straight Connector, Field Wirable Assembly, Reversed Polarity, With Fix-cap, Unshielded, Front fastened, Contacts: 4, IP65/IP67/IP68

Part no.

MB12FARAFQ04ST

Assembly instructions



Security Notices

The connector must not be plugged or unplugged under load. Non-observance and improper use can result in personal injury.

The connectors have been developed for applications in plant engineering, control and electrical equipment construction. The user is responsible for checking whether the connectors can also be used in other areas of application.

Connectors which are used in circuits with voltages dangerous to the touch may only be installed and used by, or under the supervision of, persons with electrical engineering training, taking into account the applicable regulations and standards.

The user must take suitable safety precautions to ensure that the connector cannot be accidentally disconnected.

Please observe the pollution degree and the overvoltage category. For further information, please refer to the download center "Technical Information".

Finecables Enterprise Co., Ltd

Email: info@finecables.com

Web: www.finecables.com

Product data sheet

M12 Field Wirable Assembly

<https://finecables.com/m12-field-wirable-assembly-quick-lock/1549/>



Product description	M12 Quick-lock Female Straight Connector, Field Wirable Assembly, Reversed Polarity, With Fix-cap, Unshielded, Front fastened, Contacts: 4, IP65/IP67/IP68
Part no.	MB12FARAFQ04ST

Tel: +86 0769-81517898

Address: No.54 Changdi Road, Nanmian Community Humen Town Dongguan City, Guangdong Province, China.