

Product description

M12 A-coding Female Straight Connector, Field Wirable Assembly, Screw joint, Shielded, Front fastened, Contacts: 5, IP67/IP68

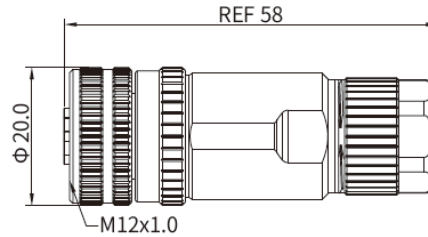
Part no.

MB12FWSAFF05ST

**Illustration**



**Scale drawing**



**You can find the assembly instructions on the next page.**

**General features**

Part no.	<b>MB12FWSAFF05ST</b>
Standard	IEC 61076-2-101
Ambient temperature	-25°C ~ +90°C
Suitable Cable Dia	A: 4~6mm; B: 6~8mm
IP rating	IP67, IP68 in locked condition
Mating endurance	>500 cycles

**Electrical parameters**

Insulation resistance	$\geq 100\text{M}\Omega$
Contact resistance	$\leq 5\text{m}\Omega$
Shielding	Available
Rated current	4A
Rated voltage	60V AC / DC
Wire gauge	0.34mm <sup>2</sup> (AWG22)

**Material**

Connector insert	TPU
Connector contacts	Brass with gold plated
Connector body	Zinc alloy with nickel plated
Coupling nut/screw	Brass with nickel plated

Product description

M12 A-coding Female Straight Connector, Field Wirable Assembly, Screw joint, Shielded, Front fastened, Contacts: 5, IP67/IP68

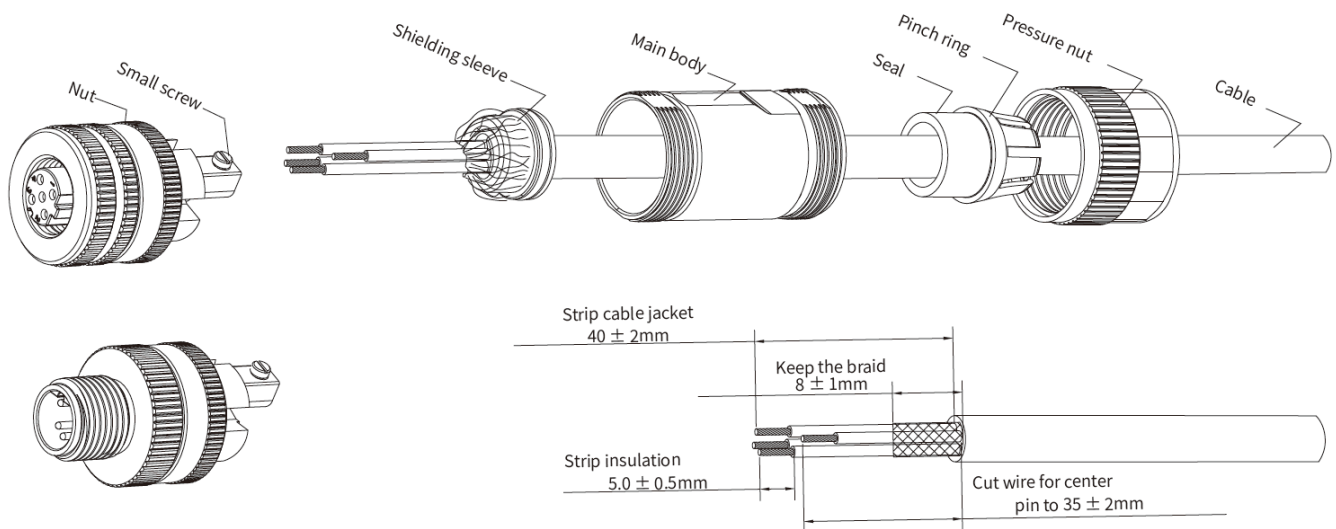
Part no.

MB12FWSAFF05ST

Seal/O-ring

FKM

## Assembly instructions



## Security Notices

The connector must not be plugged or unplugged under load. Non-observance and improper use can result in personal injury.

The connectors have been developed for applications in plant engineering, control and electrical equipment construction. The user is responsible for checking whether the connectors can also be used in other areas of application.

Connectors which are used in circuits with voltages dangerous to the touch may only be installed and used by, or under the supervision of, persons with electrical engineering training, taking into account the applicable regulations and standards.

The user must take suitable safety precautions to ensure that the connector cannot be accidentally disconnected.

Please observe the pollution degree and the overvoltage category. For further information, please refer to the download center "Technical Information".

**Product data sheet**  
**M12 Field Wirable Assembly**



<https://finecables.com/m12-field-wirable-assembly-a-coded/1785/>

Product description	M12 A-coding Female Straight Connector, Field Wirable Assembly, Screw joint, Shielded, Front fastened, Contacts: 5, IP67/IP68
Part no.	MB12FWSAFF05ST

Email: [info@finecables.com](mailto:info@finecables.com)

Web: [www.finecables.com](http://www.finecables.com)

Tel: +86 0769-81517898

Address: No.54 Changdi Road, Nanmian Community Humen Town Dongguan City, Guangdong Province, China.