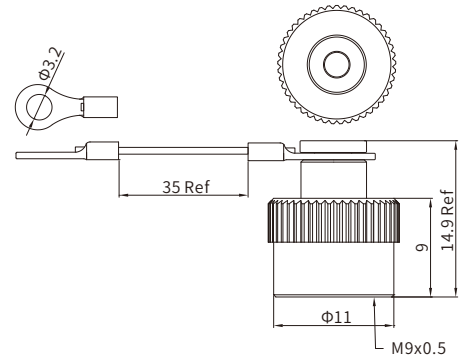


M9 Protection Cap for Male Connector

- Connector series: M9
- Gender: for Male
- Locking type: Fix screw
- Part No.: PCNM9x0.5-0



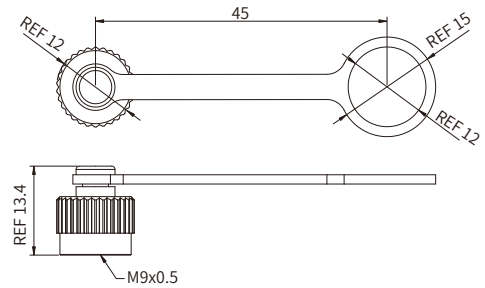
General information

Nut/Screw:	Aluminium alloy with nickel plated
Line:	Stainless steel

Gasket:	FKM
IP rating:	IP67 in locked condition

M9 Protection Cap for Male Connector

- Cover series: M9
- Gender: For male
- Locking type: Fix screw
- Part No.: PCNM9x0.5-3



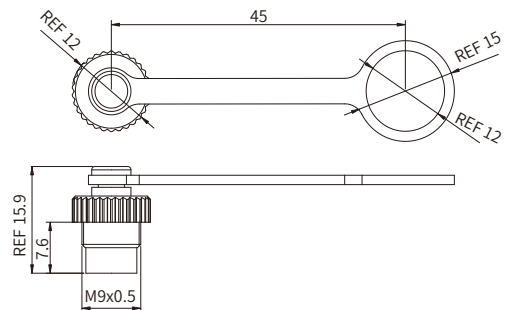
General information

Nut/Screw:	PA+GF
Line:	TPU

Gasket:	FKM
IP rating:	IP67 In locked condition

M9 Protection Cap for Female Connector

- Cover series: M9
- Gender: For female
- Locking type: Fix screw
- Part No.: PCSM9x0.5-3



General information

Nut/Screw:	PA+GF
Line:	TPU

IP rating:	IP67 in locked condition
------------	--------------------------