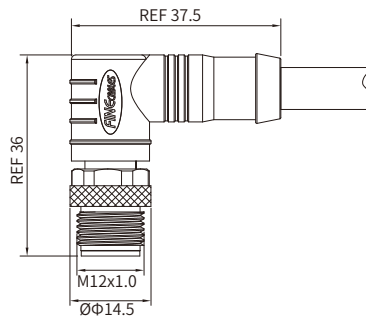


M12 Y2-coding

M12 Y2-coding Angled Connector, Molded Cable, Shielded

Male



Specifications

Contacts	8
Pin layout(Male)	
Standard	IEC 61076-2-113
Ambient temperature	-25°C ~ +85°C (flexible installation) , -40°C ~ +85°C (fixed installation)
Connector insert	PA+GF
Connector contacts	Brass with gold plated
Connector overmold	TPU
Coupling nut/screw	Brass with nickel plated
Seal/O-ring	FKM
Insulation resistance	≥ 100MΩ
Contact resistance	≤ 10mΩ
Shielding	Available
IP rating	IP67 in locked condition
Mating endurance	>500 cycles
Rated current	6 A(Power pins) / 0.5A(Data pins)
Rated voltage	50V AC/ DC
Wire gauge	0.6 mm ² (AWG 20)(Power pins)/ 0.15 mm ² (AWG 26)(Data pins)

Part Number

Pins	Cable length	Male	
		PVC	PUR
8	1m	MA12MSY2F08RA-10CB25	MA12MSY2F08RA-10RB25
	3m	MA12MSY2F08RA-30CB25	MA12MSY2F08RA-30RB25
	5m	MA12MSY2F08RA-50CB25	MA12MSY2F08RA-50RB25

Default wire colors

Pin No.	
Pin 1(Power)	WH
Pin 2(Power)	BK
Pin 3(Power)	BN
Pin 4(Power)	WH
Pin 5(Data)	WH
Pin 6(Data)	OR
Pin 7(Data)	RD
Pin 8(Data)	GN
Shell	Braid