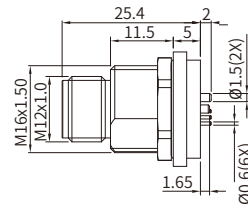
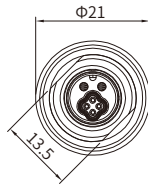


# M12 Y1-coding



## M12 Y1-coding Straight Connector, Panel Mount, PCB, Front fastened, With Earth Pin

Male



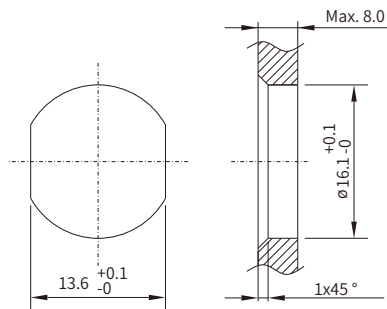
### Specifications

Contacts	6
Pin layout(Male)	
Standard	IEC 61076-2-113
Ambient temperature	-40°C ~ +80°C(fixed installation) / -20°C ~ +80°C(flexible installation)
Connector insert	PA+GF
Connector contacts	Brass with gold plated
Coupling nut/screw	Brass with nickel plated
Seal/O-ring	FKM
Insulation resistance	≥100MΩ
Contact resistance	≤10mΩ
Earth tag/pin	Available
IP rating	IP67 in locked condition
Mating endurance	>500 cycles
Rated current	12 A(Power pins) / 0.5A(Data pins)
Rated voltage	50V AC/ DC

### Part Number

Pins	Y1
6	MB12MBSY106ST-2

### Panel Cut-out Dimensions



### PCB Layout

