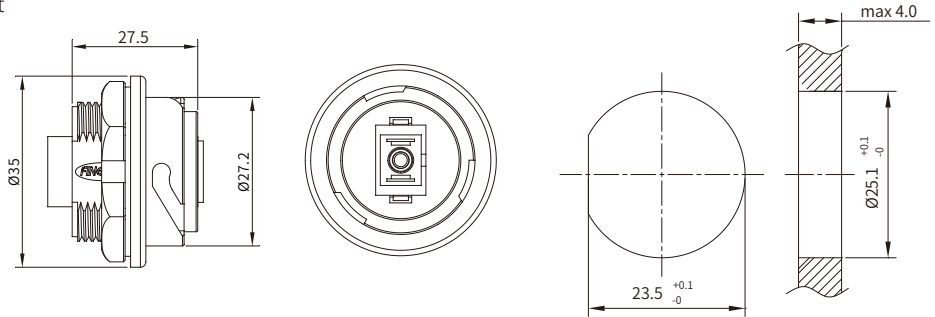


Optical Fiber Panel Type SC Adapter Connector

- Connector series: SC
- Gender: Jack
- Mating Style: 3 Points Lock Bayonet
- Mounting type: Rear fastened
- Part No.: FB-WMSCPQ



Recommended Panel Cut-Out

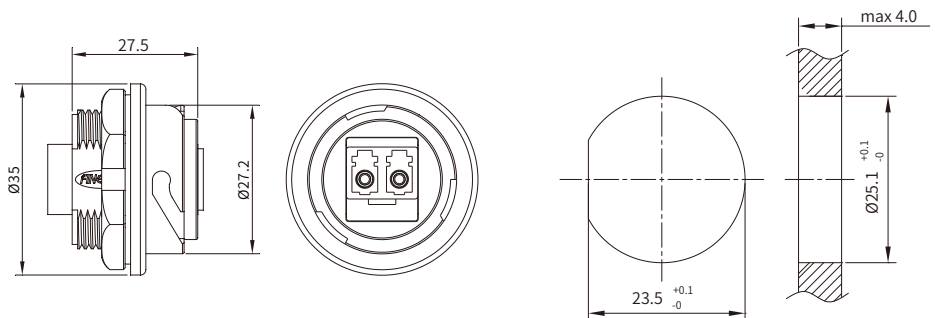
General information

| | |
|----------------------|----------------|
| Standard: | IEC 61754 |
| Ambient temperature: | -40°C ~ +105°C |
| Connector nut/screw: | PA+GF |
| Connector body: | PA+GF |
| Seal / O-ring: | Silicone |

| | |
|------------------------|--------------------------|
| Insertion Loss: | $\geq 0.3\text{db}$ |
| Return Loss: | $\leq 30\text{db}$ |
| Mechanical durability: | >500 |
| Operation wavelength: | 1310nm~1550nm~850nm |
| IP rating: | IP67 In locked condition |

M8 Protection Cap for Female Molded Cable Connector

- Connector series: LC
- Gender: Jack
- Mating Style: 3 Points Lock Bayonet
- Mounting type: Rear fastened
- Part No.: FB-WMLCPQ



Recommended Panel Cut-Out

General information

| | |
|----------------------|----------------|
| Standard: | IEC 61754 |
| Ambient temperature: | -40°C ~ +105°C |
| Connector nut/screw: | PA+GF |
| Connector body: | PA+GF |
| Seal / O-ring: | Silicone |

| | |
|------------------------|--------------------------|
| Insertion Loss: | $\geq 0.3\text{db}$ |
| Return Loss: | $\leq 30\text{db}$ |
| Mechanical durability: | >500 |
| Operation wavelength: | 1310nm~1550nm~850nm |
| IP rating: | IP67 In locked condition |