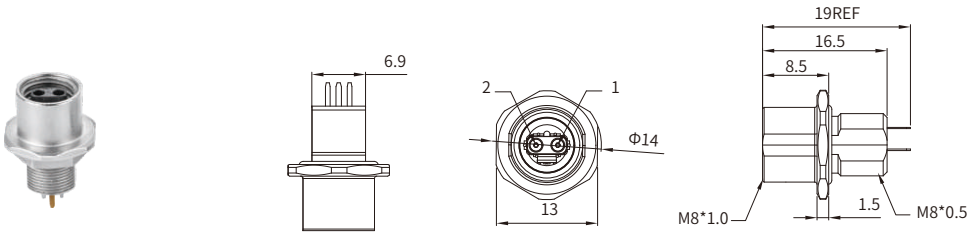


M8 2P Female, Panel Mount, PCB Type, Rear fastened, Shielded

Female



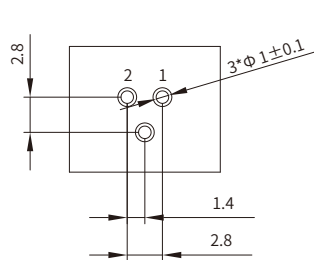
Specifications

Contacts	2
Pinlayout(Female)	
Standard	IEC 63171-6-2021
Ambient temperature	-40°C~+80°C
Connector insert	PA
Connector contacts	Brass with gold plated
Connector shield	Zinc alloy
Insulation resistance	≥500 MΩ
Contact resistance	≤20 mΩ
Shielding	Available
IP rating	IP67
Mating endurance	>500 cycles
Insertion/withdrawal force	50N Max.
Rated current	4A
Voltage	60V D/C

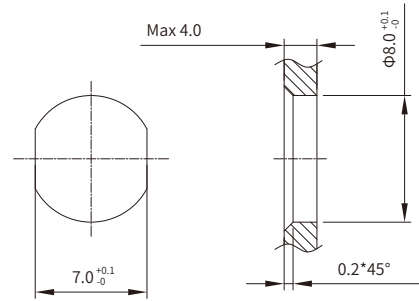
Part Number

Pins	Female
2	SPEB08FBSHDR02ST

Panel cut-out&PCB layout



Recommended PCB layout
PCB thickness: 1.6mm



Recommended panel cut-out